



HIGH VOLTAGE PNP POWER TRANSISTOR

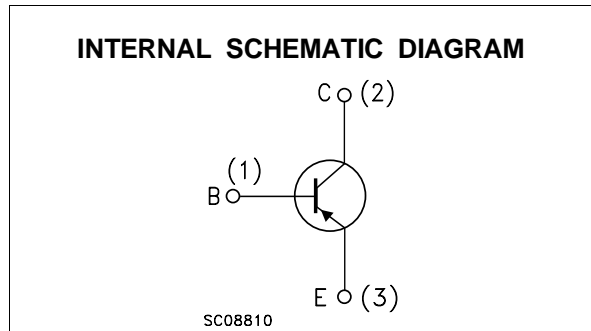
- STMicroelectronics PREFERRED SALESTYPE
- PNP TRANSISTOR
- HIGH VOLTAGE CAPABILITY

APPLICATIONS:

- SWITCHING REGULATORS
- MOTOR CONTROL
- INVERTERS

DESCRIPTION

The MJE5852 is manufactured using High Voltage PNP Multi-Epitaxial technology for high switching speed and high voltage capability. It is intended for use in high frequency and efficiency converters, switching regulators and motor control.



ABSOLUTE MAXIMUM RATINGS

Symbol	Parameter	Value	Unit
V_{CES}	Collector-Emitter Voltage ($V_{BE} = 0$)	-450	V
V_{CEO}	Collector-Emitter Voltage ($I_B = 0$)	-400	V
V_{EBO}	Emitter-Base Voltage ($I_C = 0$)	-7	V
I_C	Collector Current	-8	A
I_{CM}	Collector Peak Current ($t_p < 5ms$)	-16	A
I_B	Base Current	-4	A
I_{BM}	Base Peak Current ($t_p < 5ms$)	-8	A
P_{tot}	Total Dissipation at $T_c \leq 25^\circ C$	80	W
T_{stg}	Storage Temperature	-65 to 150	$^\circ C$
T_j	Max. Operating Junction Temperature	150	$^\circ C$

THERMAL DATA

R _{thj-case}	Thermal Resistance Junction-case	Max	1.56	°C/W
R _{thj-amb}	Thermal Resistance Junction-ambient	Max	62.5	°C/W

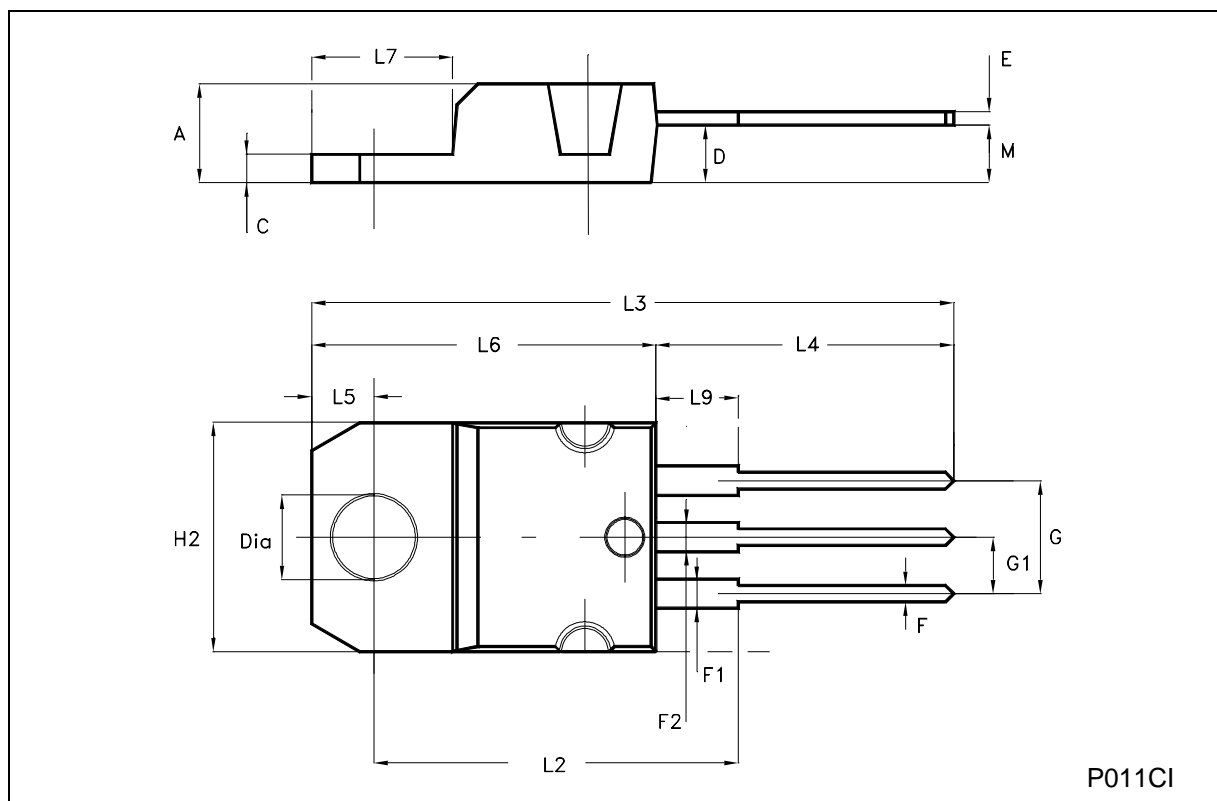
ELECTRICAL CHARACTERISTICS (T_{case} = 25 °C unless otherwise specified)

Symbol	Parameter	Test Conditions	Min.	Typ.	Max.	Unit
I _{CES}	Collector Cut-off Current (V _{BE} = -1.5V)	V _{CE} = -450 V			-500	μA
I _{EBO}	Emitter Cut-off Current (I _C = 0)	V _{EB} = -6 V			-1	mA
V _{CEO(sus)*}	Collector-Emitter Sustaining Voltage (I _B = 0)	I _C = -10 mA	-400			V
V _{CE(sat)*}	Collector-Emitter Saturation Voltage	I _C = -4 A I _B = -1 A			-2	V
		I _C = -8 A I _B = -3 A			-5	V
V _{BE(sat)*}	Base-Emitter Saturation Voltage	I _C = -4 A I _B = -1 A			-1.5	V
h _{FE*}	DC Current Gain	I _C = -2 A V _{CE} = -5 V	15			
		I _C = -5 A V _{CE} = -5 V	5			
t _s t _f	RESISTIVE LOAD Storage Time Fall Time	I _C = -4 A V _{CC} = -250 V			2	μs
		I _{B1} = -I _{B2} = -1 A t _p = 40 μs			0.5	μs

* Pulsed: Pulse duration = 300 μs, duty cycle 1.5 %
For PNP type voltage and current values are negative.

TO-220 MECHANICAL DATA

DIM.	mm			inch		
	MIN.	TYP.	MAX.	MIN.	TYP.	MAX.
A	4.40		4.60	0.173		0.181
C	1.23		1.32	0.048		0.052
D	2.40		2.72	0.094		0.107
E	0.49		0.70	0.019		0.027
F	0.61		0.88	0.024		0.034
F1	1.14		1.70	0.044		0.067
F2	1.14		1.70	0.044		0.067
G	4.95		5.15	0.194		0.202
G1	2.40		2.70	0.094		0.106
H2	10.00		10.40	0.394		0.409
L2		16.40			0.645	
L4	13.00		14.00	0.511		0.551
L5	2.65		2.95	0.104		0.116
L6	15.25		15.75	0.600		0.620
L7	6.20		6.60	0.244		0.260
L9	3.50		3.93	0.137		0.154
M		2.60			0.102	
DIA.	3.75		3.85	0.147		0.151



Information furnished is believed to be accurate and reliable. However, STMicroelectronics assumes no responsibility for the consequences of use of such information nor for any infringement of patents or other rights of third parties which may result from its use. No license is granted by implication or otherwise under any patent or patent rights of STMicroelectronics. Specification mentioned in this publication are subject to change without notice. This publication supersedes and replaces all information previously supplied. STMicroelectronics products are not authorized for use as critical components in life support devices or systems without express written approval of STMicroelectronics.

The ST logo is a trademark of STMicroelectronics.

All other names are the property of their respective owners.

© 2003 STMicroelectronics – All Rights reserved

STMicroelectronics GROUP OF COMPANIES

Australia - Belgium - Brazil - Canada - China - Czech Republic - Finland - France - Germany - Hong Kong - India - Israel - Italy - Japan - Malaysia - Malta - Morocco - Singapore - Spain - Sweden - Switzerland - United Kingdom - United States.

<http://www.st.com>